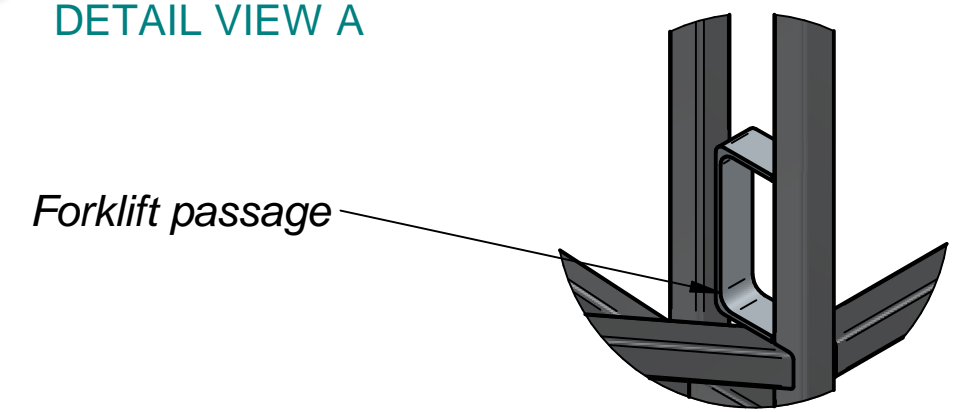
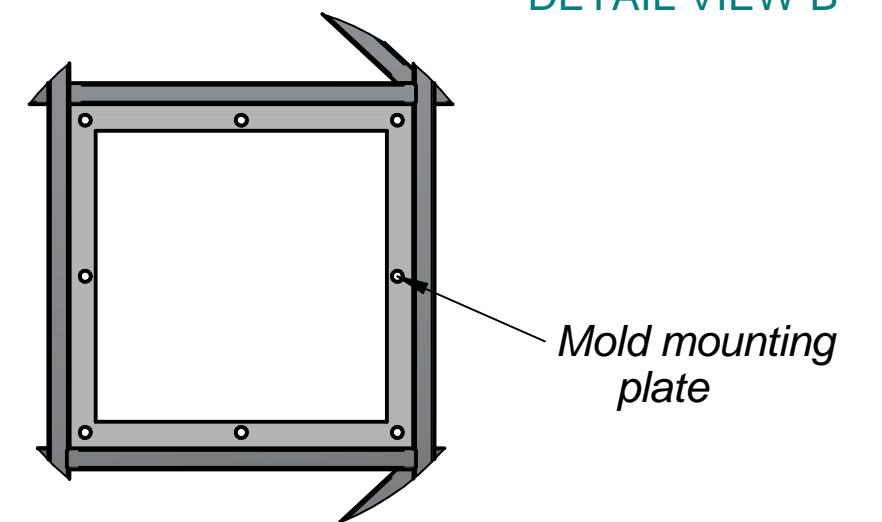


DETAIL VIEW A



DETAIL VIEW B



DETAIL VIEW C